

10 Connecting the inverter

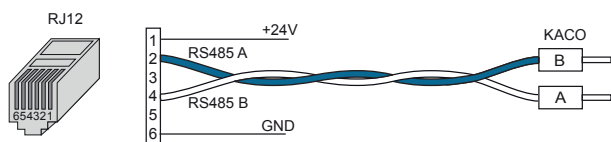


Image 6: Connecting the inverter



NOTE

See the full inverter operating manual for details on bus configuration. These can be found on our website in register "Download"

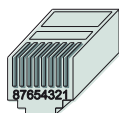
Bus configuration

- ☞ To connect, use a ready-made connection cable or manufacture one according to the pin configuration (image 6).
- ☞ We recommend the use of UNITRONIC® Li2YCYv (TP) cables, produced by "LappKabel" or equivalent. This cable is suitable for installation directly into the earth.
- ☞ Connect the inverter with an RJ12 jack.
- » If there is no inverter already installed, the device will automatically search for an inverter, once switched on.

Power connection

- ☞ Connect the accompanying power supply to the power socket (see "Interface overview").
- ☞ Connect the power supply to the mains.

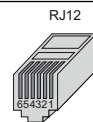
11 Ripple control receiver



1 + 2	Reduction stage 0 ex works: 100% power supply
3 + 4	Reduction stage 1 ex works: 60% power supply
5 + 6	Reduction stage 2 ex works: 30% power supply
7 + 8	Reduction stage 3 ex works: 0% power supply
No signal	ex works: 70% power supply
Invalid signal	ex works: 70% power supply

- Connect ripple control receiver via RJ45 jack
- Activate Power-Control: Turn switch (1) on the left to the "ON" position
- Make adjustments using the software, if necessary

12 Connecting S0-energy meter (optional)



1	S0+ (24 V)
3	S0-

- Connect S0-energy meter with S0-connection.
- Make the settings using the software.

13 Connecting to the portal

Setting up online

- ☞ Connect the device to the network via the ethernet cable attached to the ethernet port (see "Interface overview").
- » The device will automatically receive an IP address or the network settings (IP address etc.) can be programmed using the software.

Installing the hardware

- ☞ Open "Control Panel" and select "System".
- ☞ Open "Devices Manager" and "Update Driver".
- ☞ Hardware Update Wizard >> Search software >> select "No, not this time" and follow the Hardware Wizard.
- ☞ "Automatically install software".
- ☞ Continue with installation.

Configuring via the software

- ☞ Download the "piccoLOG Device Manager" software on our KACO website to download.
- ☞ Install software.
- ☞ Connect the device to a PC using a micro USB cable.
- ☞ Start software.

Powador-web Public

- ☞ Scan QR code onto the device using a smartphone and follow the instructions **or**:
- ☞ Visit www.powador.net/registration and complete the registration form.
- ☞ Start the portal.

Hotlines (Monday to Friday from 7:30 a.m. to 5:30 p.m. (CET))

Inverters (also on Saturdays from 8:00 until 14:00)
 +49(0) 7132/3818-660 (technical troubleshooting)
 +49(0) 7132/3818-670 (technical advice)

Data logging and Accessories
 +49(0) 7132/3818-680 (technical troubleshooting)
 +49(0) 7132/3818-690 (technical advice)

E-mail: service@kaco-newenergy.de

KACO 
 new energy.

Powador-piccoLOG

Quick Guide

You can download the full operating manual on our Homepage (kaco-newenergy.com/) in register "Download"



1 Scope of Delivery

- Powador-piccoLOG
- Micro USB cable
- Fitting materials (Phillips screws, dowels)
- Power supply DC 24 V, 0.83 A
- Ethernet cable
- Pre-assembled RS485 cable

2 Interface overview

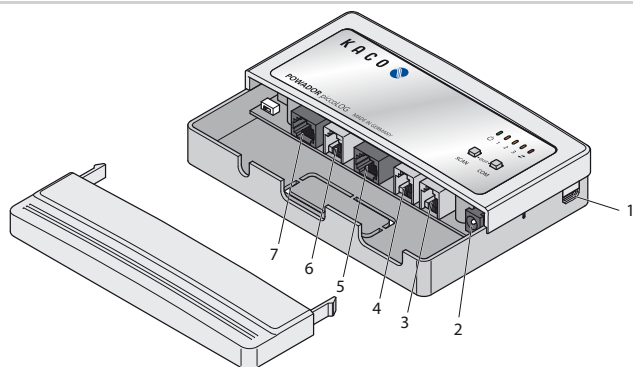


Image 1: Interface overview

1	Micro-USB	5	Ethernet connection
2	Power connection	6	S0-feed-in meter connection
3	RS485/422 for inverters (RJ12 jack)	7	Port for ripple control receiver (RJ45 jack)
4	S0-digital consumption meter connection		

3 Wall Mounting

Mounting the device on the wall:

- ☞ Drill holes
- ☞ Insert dowels
- ☞ Screw the screws 5 mm into the wall
- ☞ Slide device onto screws and ensure it is secure

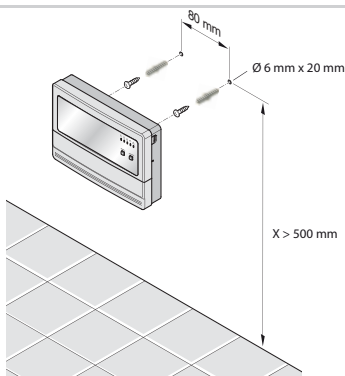


Image 2: Wall mounting

4 LED Display and Key Functions

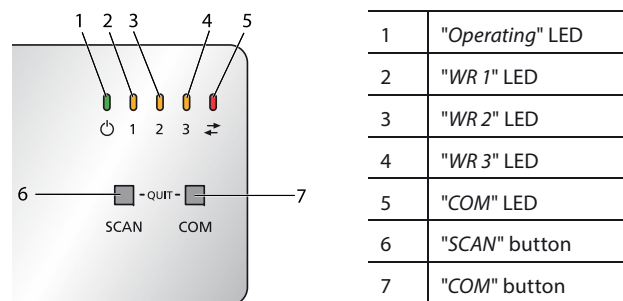


Image 3: LED Display and Key Functions

5 Status Displays

LEDs	Off	Flashing	Illuminated
Operation	Data logger out of service	Data logger is currently in booting process	Data logger is ready for use
WR 1 WR 2 WR 3	No inverter connected/recognised	Inverter error discovered	Inverter recognised and no error
COM	Last data packet has been successfully sent to the portal	Data packet is being sent to the Powador-web Portal	Data packet could not send to the Powador-web Portal

6 Key Functions

Key Functions	SCAN	COM	SCAN + COM
Quick activation (>2s)	Inverter scan is being carried out	Powador-web communication is being tested	Acoustic signal is being deactivated
Long Activation (>5s)	---	---	Relevant alarm has been confirmed

7 Troubleshooting

LEDs	Off	Flashing	Illuminated
Operation	Check the mains supply	---	---
WR 1 WR 2 WR 3	Check wiring/IP address	Read status message from the device manager and inform an electrician	---
COM	---	---	Check internet connection or network settings

8 Rebooting



Image 4: Restart

Restart

- ☞ Press "RESET" button (1) using a paper clip

9 Power-Control

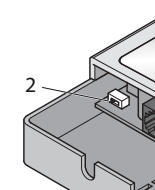


Image 5: Power Control

Activate power control

- ☞ Turn power control switch (2) to the left and "ON" position (limited configuration options) → Inverter scan not possible).

Deactivate power control

- ☞ Turn power control switch (2) to the right and "OFF" position.